

MNLM117-K REV 1C1

 Original Creation Date: 06/27/95
 Last Update Date: 08/23/04
 Last Major Revision Date: 03/11/96

POSITIVE THREE-TERMINAL ADJUSTABLE VOLTAGE REGULATOR
General Description

The LM117 adjustable 3-terminal positive voltage regulator is capable of supplying in excess of 1.5A over a 1.2V to 37V output range. It is exceptionally easy to use and requires only two external resistors to set the output voltage. Further, both line and load regulation are better than standard fixed regulators.

In addition to higher performance than fixed regulators, the LM117 offers full overload protection available only in IC's. Included on the chip are current limit, thermal overload protection and safe area protection. All overload protection circuitry remains fully functional even if the adjustment terminal is disconnected.

Normally, no capacitors are needed unless the device is situated more than 6 inches from the input filter capacitors in which case an input bypass is needed. An optional output capacitor can be added to improve transient response. The adjustment terminal can be bypassed to achieve very high ripple rejection ratios which are difficult to achieve with standard 3-terminal regulators.

Besides replacing fixed regulators, the LM117 is useful in a wide variety of other applications. Since the regulator is "floating" and sees only the input-to-output differential voltage, supplies of several hundred volts can be regulated as long as the maximum input to output differential is not exceeded, (i.e., avoid short-circuiting the output).

Also, it makes an especially simple adjustable switching regulator, a programmable output regulator, or by connecting a fixed resistor between the adjustment pin and output, the LM117 can be used as a precision current regulator. Supplies with electronic shutdown can be achieved by clamping the adjustment terminal to ground which programs the output to 1.2V where most loads draw little current.

For applications requiring greater output current, see LM150 (3A) and LM138 (5A) data sheets. For the negative complement, see LM137 data sheet.

Industry Part Number

LM117K

NS Part Numbers

LM117K/883

Prime Die

LM117K

Processing

MIL-STD-883, Method 5004

Quality Conformance Inspection

MIL-STD-883, Method 5005

Subgrp Description Temp (°C)

1	Static tests at	+25
2	Static tests at	+125
3	Static tests at	-55
4	Dynamic tests at	+25
5	Dynamic tests at	+125
6	Dynamic tests at	-55
7	Functional tests at	+25
8A	Functional tests at	+125
8B	Functional tests at	-55
9	Switching tests at	+25
10	Switching tests at	+125
11	Switching tests at	-55

Features

- Guaranteed 1.5A output current
- Adjustable output down to 1.2V
- Current limit constant with temperature
- 80 dB ripple rejection
- Output is short-circuit protected

(Absolute Maximum Ratings)

(Note 1)

Power Dissipation (Note 2)	Internally Limited
Input-Output Voltage Differential	+40V, -0.3V
Maximum Junction Temperature	150 C
Storage Temperature Range	-65 C to +150 C
Lead Temperature (Soldering, 10 seconds)	300 C
Thermal Resistance	
ThetaJA (Still Air)	39 C/W
(500LF/Min Air flow)	14 C/W
ThetaJC	1.9 C/W
ESD Tolerance (Note 3)	3000V

Note 1: Absolute Maximum Ratings indicate limits beyond which damage to the device may occur. Operating Ratings indicate conditions for which the device is intended to be functional, but do not guarantee specific performance limits. For guaranteed specifications and test conditions, see the Electrical Characteristics. The guaranteed specifications apply only for the test conditions listed. Some performance characteristics may degrade when the device is not operated under the listed test conditions.

Note 2: The maximum power dissipation must be derated at elevated temperatures and is dictated by Tjmax (maximum junction temperature), ThetaJA (package junction to ambient thermal resistance), and TA (ambient temperature). The maximum allowable power dissipation at any temperature is $P_{dmax} = (T_{jmax} - T_A) / \Theta_{JA}$ or the number given in the Absolute Maximum Ratings, whichever is lower.

Note 3: Human body model, 1.5K Ohms in series with 100pF.

Recommended Operating Conditions

Operating Temperature Range	-55 C ≤ TA ≤ +125 C
-----------------------------	---------------------

Electrical Characteristics

DC PARAMETERS

(The following conditions apply to all the following parameters, unless otherwise specified.)
DC: $V_{diff} = V_{in} - V_{out}$, $I_l = 10\text{mA}$

SYMBOL	PARAMETER	CONDITIONS	NOTES	PIN-NAME	MIN	MAX	UNIT	SUB-GROUPS
Iadj	Adjustment Pin Current	$V_{diff} = 3\text{V}$				100	uA	1
		$V_{diff} = 3.3\text{V}$				100	uA	2, 3
		$V_{diff} = 40\text{V}$					100	uA
Iq	Minimum Load Current	$V_{diff} = 3\text{V}$, $V_{out} = 1.7\text{V}$				5	mA	1
		$V_{diff} = 3.3\text{V}$, $V_{out} = 1.7\text{V}$				5	mA	2, 3
		$V_{diff} = 40\text{V}$, $V_{out} = 1.7\text{V}$					5	mA
Vref	Reference Voltage	$V_{diff} = 3\text{V}$			1.2	1.3	V	1
		$V_{diff} = 3.3\text{V}$			1.2	1.3	V	2, 3
		$V_{diff} = 40\text{V}$			1.2	1.3	V	1, 2, 3
Rline	Line Regulation	$3\text{V} \leq V_{diff} \leq 40\text{V}$, $V_{out} = 1.2\text{V}$			-8.9	8.9	mV	1
		$3.3\text{V} \leq V_{diff} \leq 40\text{V}$, $V_{out} = 1.2\text{V}$			-22.2	22.2	mV	2, 3
Rload	Load Regulation	$V_{diff} = 3\text{V}$, $I_l = 10\text{mA}$ to 1.5A			-15	15	mV	1
		$V_{diff} = 3.3\text{V}$, $I_l = 10\text{mA}$ to 1.5A			-15	15	mV	2, 3
		$V_{diff} = 40\text{V}$, $I_l = 10\text{mA}$ to 300mA			-15	15	mV	1
		$V_{diff} = 40\text{V}$, $I_l = 10\text{mA}$ to 195mA			-15	15	mV	2, 3
Delta Iadj	Adjustment Current Change	$V_{diff} = 3\text{V}$, $I_l = 10\text{mA}$ to 1.5A			-5	5	uA	1
		$V_{diff} = 3.3\text{V}$, $I_l = 10\text{mA}$ to 1.5A			-5	5	uA	2, 3
		$V_{diff} = 40\text{V}$, $I_l = 10\text{mA}$ to 300mA			-5	5	uA	1
		$V_{diff} = 40\text{V}$, $I_l = 10\text{mA}$ to 195mA			-5	5	uA	2, 3
		$3\text{V} \leq V_{diff} \leq 40\text{V}$			-5	5	uA	1
		$3.3\text{V} \leq V_{diff} \leq 40\text{V}$			-5	5	uA	2, 3
Ios	Short Circuit Current	$V_{diff} = 10\text{V}$			1.6	3.4	A	1
Theta R	Thermal Regulation	$T_A = 25\text{C}$, $V_{diff} = 40\text{V}$, $I_l = 300\text{mA}$, $t = 20\text{ms}$			-10.5	10.5	mV	1
Icl	Current Limit	$V_{diff} \leq 15\text{V}$	1		1.5		A	1, 2, 3
		$V_{diff} = 40\text{V}$	1		0.3		A	1

Electrical Characteristics

AC PARAMETERS

SYMBOL	PARAMETER	CONDITIONS	NOTES	PIN-NAME	MIN	MAX	UNIT	SUB-GROUPS
Rr	Ripple Rejection	Vin = +6.25V, Vout = Vref, f = 120Hz, ei = 1Vrms, Il = 0.5A	2		66		dB	4, 5, 6

DC PARAMETERS: DRIFT VALUES

(The following conditions apply to all the following parameters, unless otherwise specified.)

DC: Vdiff = Vin - Vout, Il = 10mA. "Deltas not required on B-Level product. Deltas required for S-Level product ONLY as specified on Internal Processing Instructions (IPI)."

Iadj	Adjustment Pin Current	Vdiff = 40V			-10	10	uA	1
Vref	Reference Voltage	Vdiff = 3V			-0.01	0.01	V	1

Note 1: Guaranteed Parameter, not tested.

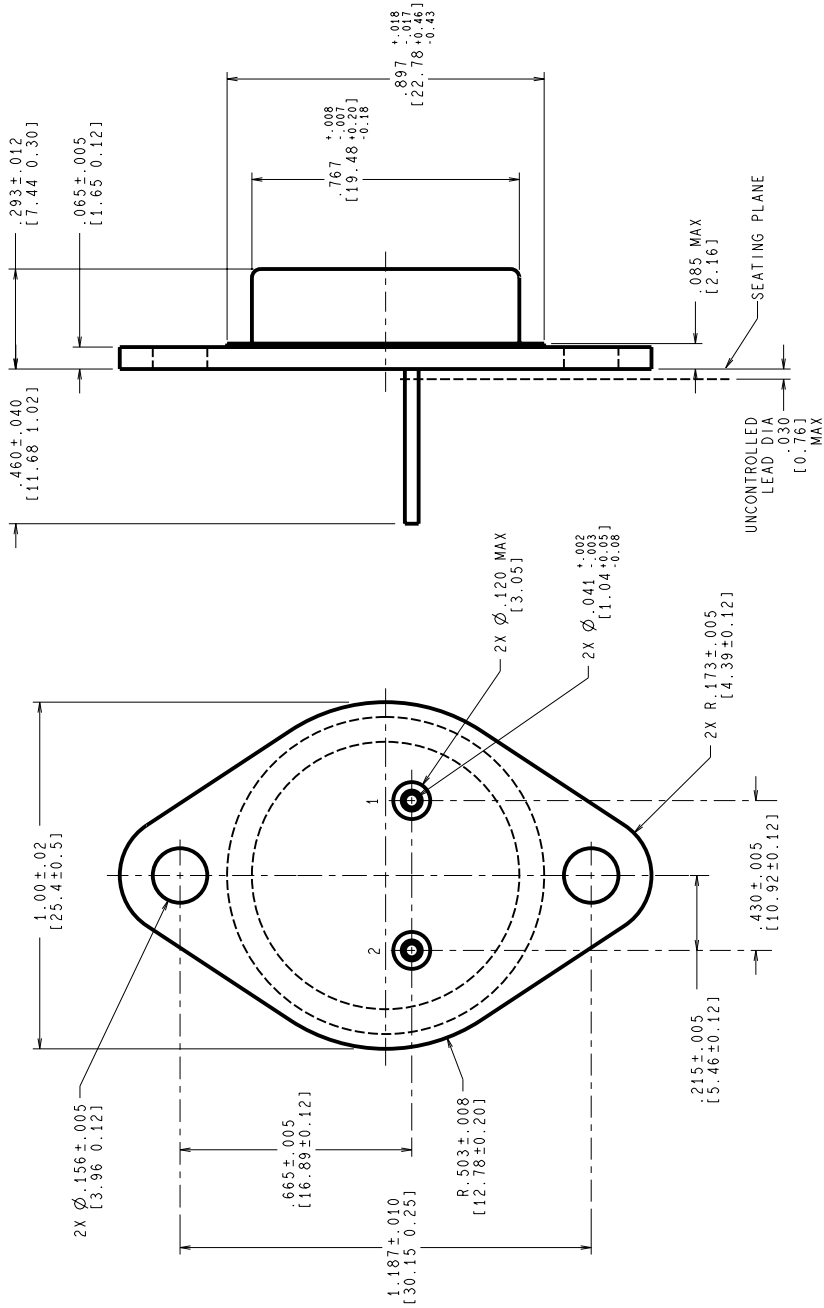
Note 2: Tested at +25 C; guaranteed, but not tested at +125 C and -55 C.

Graphics and Diagrams

GRAPHICS#	DESCRIPTION
K02CRE	METAL CAN TO-3, 2LD, LOW PROFILE (P/P DWG)
P000173A	METAL CAN (KA), TO-3, 2LD, LOW PROFILE (PINOUT)

See attached graphics following this page.

REVISIONS			
LTR	DESCRIPTION	E.C.N.	DATE
E	REDRAW ON PROFILE: UPDATE MIL/AERO STAMP: NOTE 2: MIL-PRF-38535 WAS MIL-I-38535.	11155	09/15/95 MS/



CONTROLLING DIMENSION IS INCH
VALUES IN [] ARE MILLIMETERS

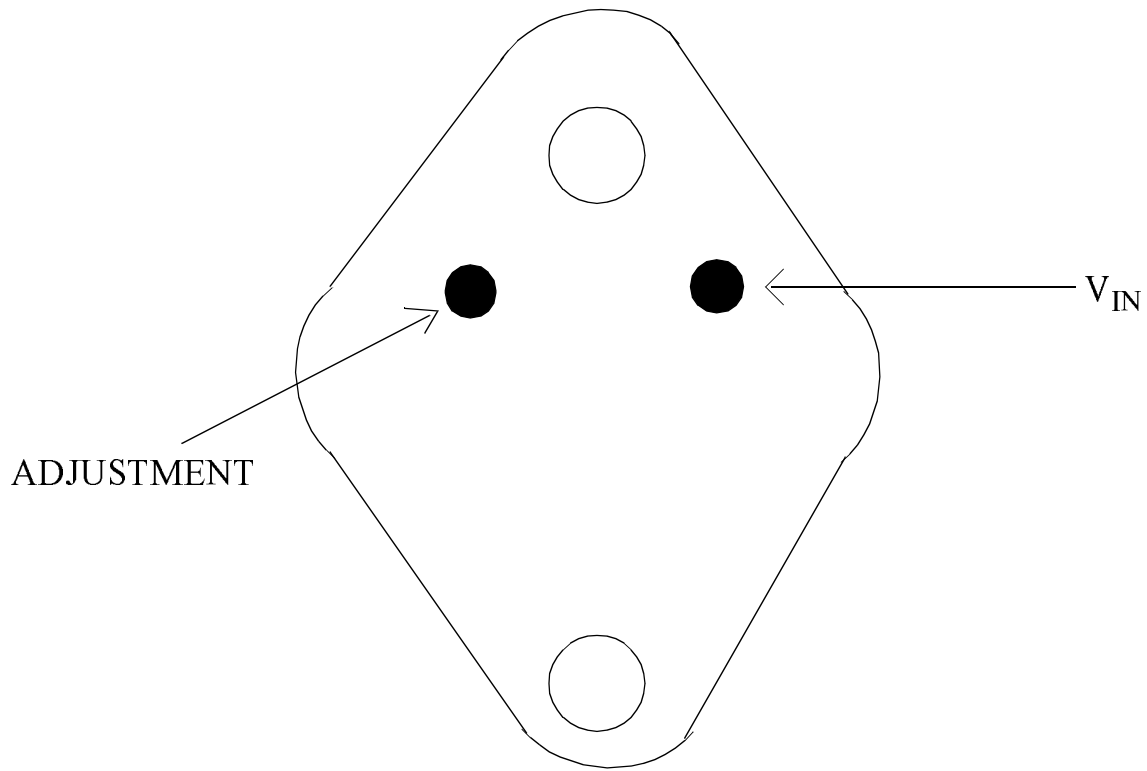
MIL-PRF-38535
CONFIGURATION CONTROL

NOTES: UNLESS OTHERWISE SPECIFIED

- STANDARD HEADER TYPE SOLID BASE.
- STANDARD LEAD FINISH:
PER MIL-PRF-38535 TYPE X OR EQUIVALENT.
- LEAD NOT BENT GREATER THAN 15°.
- DIMENSIONS BASED ON JEDEC STANDARD TO-3,
PUBLICATION 95, PAGE 98.

APPROVALS		DATE
DRNWR	MARTA SUCHY	09/15/95
DRG. CHK.		
ENGR. CHK.		

 National Semiconductor 2800 Semiconductor Dr., Santa Clara, CA 95052-8090	
METAL CAN, TO-3, 2 LEAD, LOW PROFILE	
SCALE	DRAWING NUMBER
N/A	C
DO NOT SCALE DRAWING	MKT-K02C
REV	E
SHEET 1 of 1	



LM117K, LM117HVK
2 - LEAD TO3
CONNECTION DIAGRAM
BOTTOM VIEW
P000173A



National Semiconductor™
MIL/AEROSPACE OPERATIONS
2900 SEMICONDUCTOR DRIVE
SANTA CLARA, CA 95050

Revision History

Rev	ECN #	Rel Date	Originator	Changes
1C1	M0004399	08/23/04	Rose Malone	Updated MDS: MNLM117-K, Rev. 1B0 to 1C1. Added power dissipation note, and pinout. Updated Thermal Resistance data and Mkt Drawing,